

## CONTINUOUS INKJET PRINTER

### Maler M486

- Cost-friendly machine with low consumable consumption
- Low maintenance cost, filter kit change only required every 4000 hours
- Complete auto-flush system, less daily services
- Ease to operate with touchscreen 7", user friendly
- Sharp character printing message
- Faster screen response at iPhone level touch

The Maler M486 continuous inkjet printers offer you coding solution with fast, flexible and easy-to-use. No matter Text, Barcodes, Lot/batch numbers, Counters, Manufacturing & Expiry date, Shifts, Graphic, etc. To any coding application in any industry such as Food & Beverage, Pharmaceutical, Plastic & Rubber, Automotive, Consumer products etc. With highest coding adhesion, it performs well on various material range such as PE, PP, foil, film, metal, glass, etc.

Max. 4 lines coding with storing up to 1,000 message as standard. Higher ink throw distance at 45mm max compare to other economics brands\models which brings you more flexibility in production line layout set up.

Super easy and smooth operation on the fastest touch screen you have ever seen, with latest Linux-base OS at iPhone-level. Improved integration across your production line by connecting and controlling several printers from your PC, using parallel I/O and Ethernet connectivities. Predictable maintenance scheduling a filter replacement at every 4000 hours with friendly cost. Think maximizing your coding efficiency at lower costs, think Maler M486

**Maler M486 -- Mark At Limitless Efficiency & Reliability.**



# Technical Specifications

## Printing Performance / Functions

### Line Speed Capability

- 1 line 5x5 @ 340 mpm / 1,115 fpm
- 1 line 7x5 @ 270 mpm / 866 fpm
- 2 lines 7x5 @ 146 mpm / 480 fpm
- 3 lines & 4 lines high speed under development

### Font Matrix Configuration

- Single-line : 5x5, 7x5, 9x7, 11x7, 15x11, 23x15, 32x24
- Twin-line : 5x5, 7x5, 9x7, 11x7, 15x11, 23x15
- Tri-line : 5x5, 7x5, 9x7, 11x7, 15x11
- Quad-line : 5x5, 7x5, 9x7, 11x7

### Character Height

- Selectable from 0.1 cm (0.04") to 2 cm (0.8"), depending on font

### Throw Distance

- Optimal : 15 mm (0.6")
- Range : 0.5 mm (0.2") to 50 mm (2")

### Linear Bar Codes

- Code39, Code128, EAN128, EAN-8, EAN-13, UPC-A&E, QR code, DataMatrix

### Custom Logo/Graphics

- Can be created by user on build-in logo editor on printer, or on PC by Microsoft Paint.

### Character Sets

- English, Chinese, Arabic, Farsi, Latin, Russian, etc

### Printhead Dimension

- PH Diameter 43mm. x L255 mm
- PH Size 60 micron



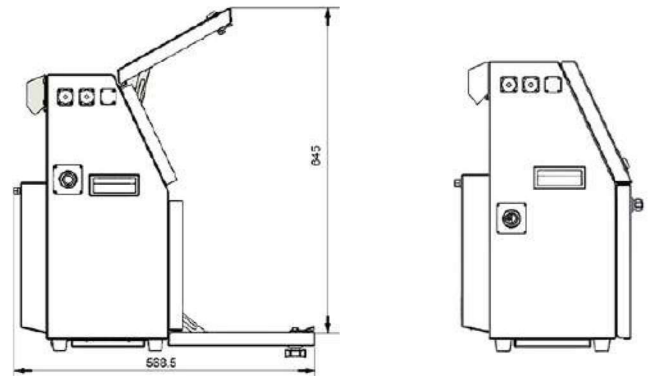
## Hardware Features

### Display & Key-in

- 7" 800X640 Full HD touch screen
- WYSIWYG on-screen message editing, Linux smart OS with iPhone-level user experience

### Dimension

Height	520mm
Width	354mm
Thickness	341.5mm
Expand Thickness	568.5mm
Expand Height	645mm
Weight	19Kg
Protective grade	IP54
Casing material	Stainless steel
Noise level	<60 d B(A)



### Language and Interface Options

- English, Chinese(S+T), Arabic, Vietnamese, Thai, Farsi,
- French, German, Korean, Spanish, etc Message Storage

### Message Storage

- 1000 complex messages.

### Fluid Containers

- 1500ml refillable reservoir (Ink/Solvent)

### Net Weight

- Unpacked and dry : 27 kg (59.5 lbs)

  
**Tel. 02-170-8051**  
Email : [contech@contechsupply.co.th](mailto:contech@contechsupply.co.th)



@contechsupply

[www.contechsupply.co.th](http://www.contechsupply.co.th)